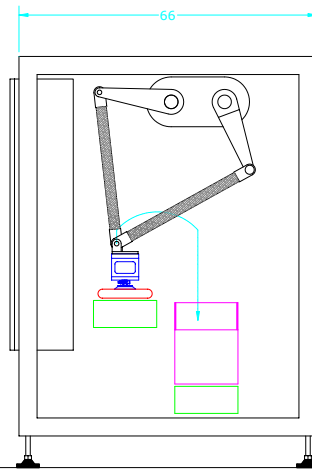
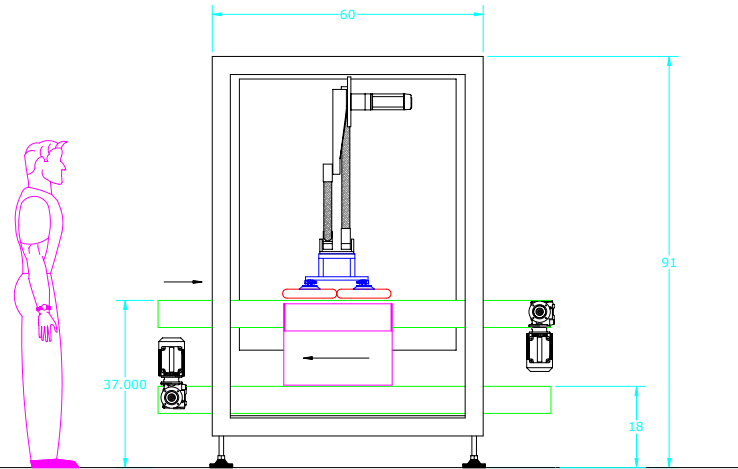


Product Placement



Product Pick



ELAU

This Information Is The Property Of Switchback Group DO NOT Reproduce Without Permission NOTICE: THIS DRAWING IN DESIGN AND DETAIL IS OUR PROPERTY. ALL RIGHTS OF DESIGN OR INVENTION ARE RESERVED.		Switchback Group	
UNLESS OTHERWISE SPECIFIED, DIMENSIONS ARE IN INCHES AND THE TOLERANCES ARE SHOWN TO THE RIGHT. SIZE: C engineering format		TITLE: Floorplan - Model SL-4VS Single Head Servo Product Loader	
DATE: 5-20-08	PAGE 1 OF 1	DRAWING NO.	REV.
PLOT SCALE: none	DWG BY: JRZ	FP-SL4V-010	00
JOB NO.			