



## Features

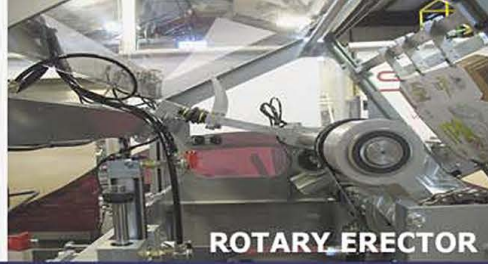
- Heavy Duty Construction
- Allen Bradley Compact Logix PLC
- Automatic, Extended Carton Magazine
- Interlocked Barrier Guarding
- Servo Star Wheel Can Collation
- Nordson Hot Melt System
- Elevated Frame For Sanitation
- Carton & Product Photo-Eyes
- Casters and Leveling Legs
- #60 Corrosion Resistant Flight Chain
- Automatic Barrel Cam Loader
- Up To 90 Cartons per Minute
- High Speed Orbital Erector with Pre-Break
- Optional Date Coding Systems
- 4, 6, 12 Packs Capable

[www.switchbackgroup.com](http://www.switchbackgroup.com)



**Continuous Motion Auto Load Cartoner For Cans**

# AC-4H Cartoner



## Specifications

### Carton Range

Minimum: 4 pack 12/16 oz.  
Maximum: 12 pack 12/16 oz. (3x4)

### Packaging Material

SBS, CUK, Clay Coat News Chipboard

### Package Type

Glue Style Flaps  
Full or Split Major Flaps

### Main Voltage

240VAC-3 Phase-60 Hz  
480VAC-3 Phase-60 Hz (Optional)

### Control Voltage

24VDC (Optional 120VAC)

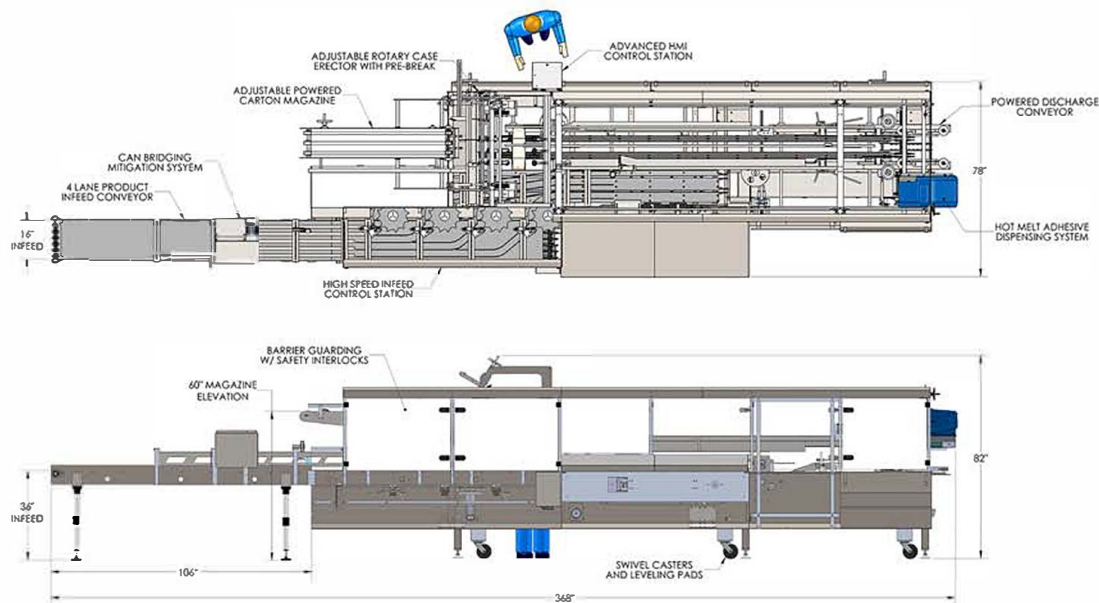
### Speed Range

12 pack: Up to 50 Cartons Per Minute  
6 pack: Up to 90 Cartons Per Minute

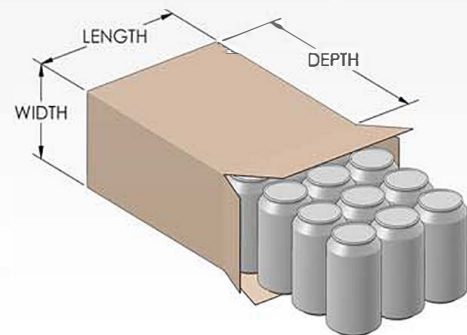
### Air Consumption

30 CFM @ 80 PSI

## AC-4H



## Carton Style



## Designed to Perform

The AC-4H offers high speed cartoning of cans in a compact footprint layout. The AC-4H has the ability to run 4, 6 & 12 pack patterns.

Ethernet based Allen Bradley PLC, variable frequency drives and servo control allow for product control throughout the machine cycle, with recipe storage available on the color touch screen.

## Sales Office

## Factory Information

**Switchback Group, Inc.**  
3778 Timberlake Drive  
Richfield, OH 44286  
P (330) 523-5200  
F (330) 523-5212  
[www.switchbackgroup.com](http://www.switchbackgroup.com)