

Features

- Pass-Through Construction
- 36" Powered Carton Magazine
- Interlocked Barrier Guarding
- Adjustable Flighted Infeed
- Pressurized Hot Melt System
- Elevated Frame For Sanitation
- 3 Head Rotary Erector
- Programmable Limit Switches
- Casters and Leveling Legs
- Detent Jam Protection Clutch
- Cartons Carrier Flight Chain
- 3 HP AC Inverted Drive Motor
- Up To 600 Carton per Minute
- Optional Date Coding Systems
- Optional Coupon Placement
- Option Extended Magazines

www.switchbackgroup.com



Optional Wash-Down Series

AC-3H

**Continuous Motion
Horizontal Cartoner**



Specifications

Carton Range (LWD)

Minimum: 1 x 3/4 x 5
Maximum: 10.5 x 5 x 12

Packaging Material

SBS, Clay Coat News Chipboard

Package Type

Straight & Reverse Tuck
Glue End Seal

Main Voltage

240VAC-3 Phase-60 Hz
480VAC-3 Phase-60 Hz (Optional)

Control Voltage

24VDC (Optional 120VAC)

Speed Range

10-150 Cartons Per Minute
Up to 600 Cartons Per Minute

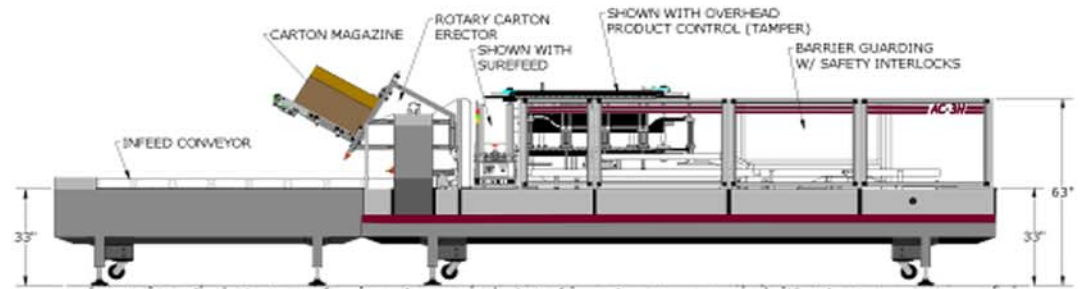
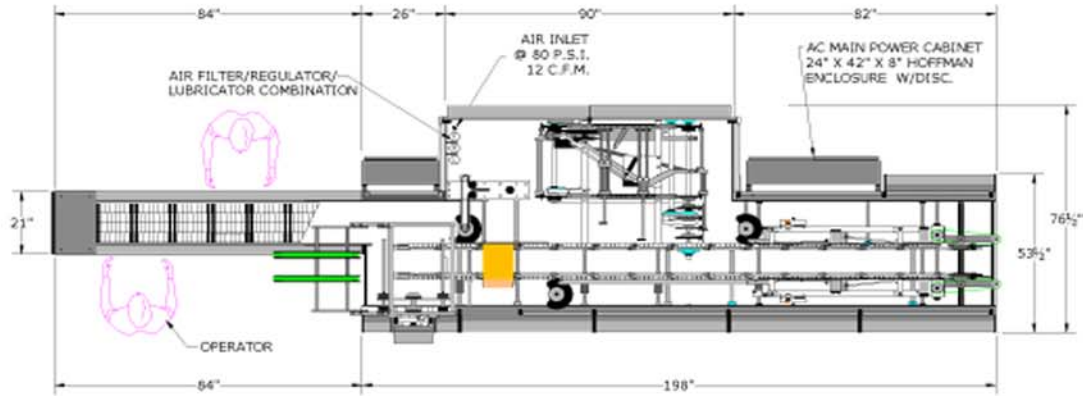
Air Consumption

12 CFM @ 80 PSI

Floor Space

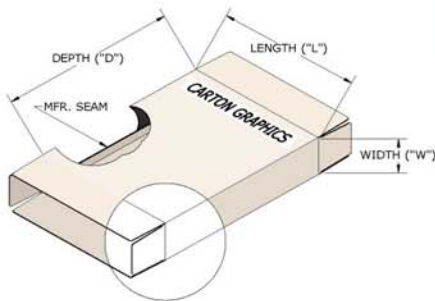
76.5" Width (1943mm)
198" Length (5030mm)
72" Height (1830mm)
105 Square Feet

AC-3H



SIDE VIEW

Carton Style



Designed to Perform

With a variety of attachments and options, the AC-3H can be fitted to perform about any task when it comes to cartoning. This model uses high-speed input shaft technology. This removes the torsion effect found in normal low speed line shaft drives. It's protected with a detent overload clutch and plenty of horsepower to accommodate addition infeed conveyor length if the need arises. Attachments include Deboss Coding; Laser or Inkjet; SmartBelt Product Infeed; Powered Carton Magazine and Over Product Containment to mention a few.

For further information, call one of our qualified salespersons or equipment representatives and let us put together a plan to get your company started in the direction of quality and performance.

Sales Office

Factory Information

Switchback Group, Inc.

3778 Timberlake Drive

Richfield, OH 44286

P (330) 523-5200

F (330) 523-5212

www.switchbackgroup.com