



Features

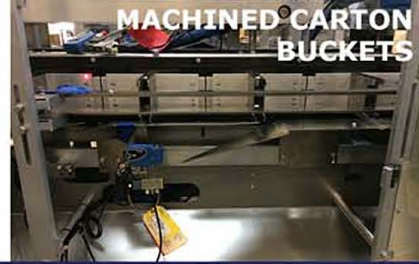
www.switchbackgroup.com

- Lock & Glue Style Cartons
- Quick Change 3-sided Carton Buckets
- Rotary Erector with Carton Pre-break
- Automatic Advance Carton Magazine
- Large U-Shape Loading Area
- OEM Spray Glue System
- Touch Screen Control
- Pass Through Construction
- Motorized Discharge
- Speeds to 150 Cartons per Minute



Glue and Lock Style Cartons

SC-3V Continuous Motion Vertical Cartoner



Specifications

Carton Range (LWD)

Minimum: 3 x 1 x 6
Maximum: 10 x 4 x 12

Packaging Material

SBS, Clay Coat News Chipboard

Package Type

Straight & Reverse Tuck
Glue End Seal

Main Voltage

240VAC-3 Phase-60 Hz
480VAC-3 Phase-60 Hz (Optional)

Control Voltage

24VDC (Optional 120VAC)

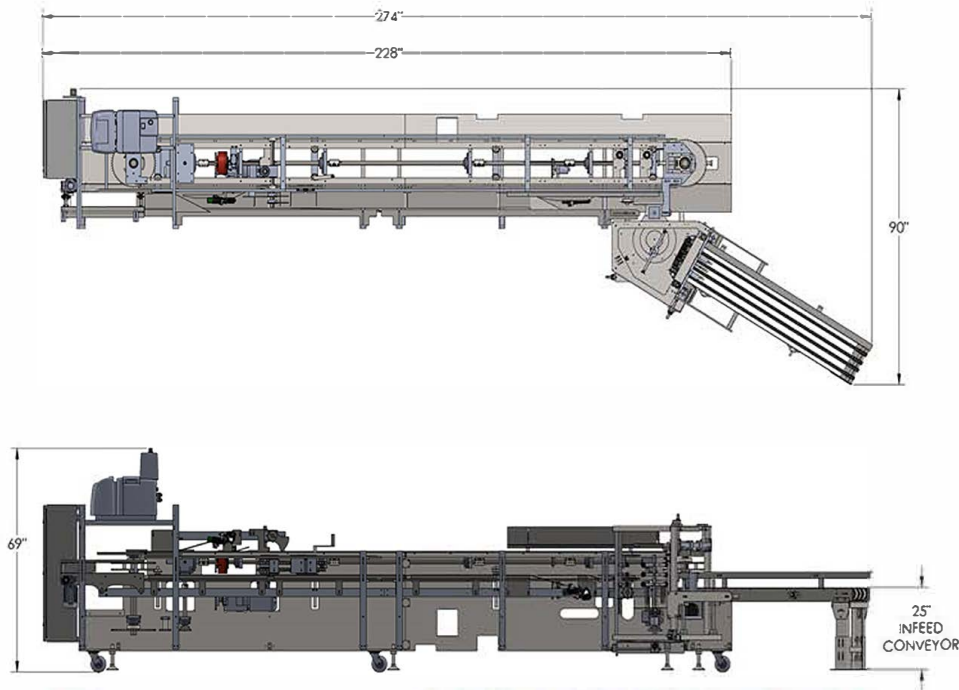
Speed Range

10-150 Cartons Per Minute

Air Consumption

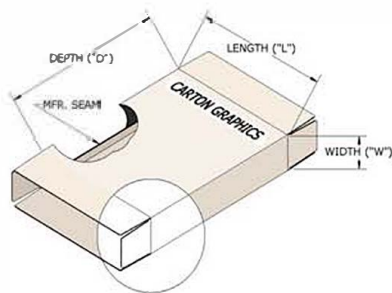
36 SCFM @ 80 PSI

SC-3V



Load Area/Overall Length is Customized to Application

Carton Style



Designed to Perform

With the ability to run a wide variety of carton sizes & styles the SC-3V offers the ultimate flexibility in cartoning. Straight & Reverse Tuck cartons as well as Glue closure are applicable. 3-sided buckets tooled specifically for each carton ensures carton squaring during production. A large operator loading area is offered to handle high speed performance. Let us know how we can assist you.

Sales Office

Factory Information

Switchback Group, Inc.
3778 Timberlake Drive
Richfield, OH 44286
P (330) 523-5200
F (330) 523-5212
www.switchbackgroup.com