



## Features

- Pass-Through Construction
- 60" Powered Carton Magazine
- Interlocked Barrier Guarding
- Adjustable Flighted Infeed
- Pressurized Hot Melt System
- Elevated Frame For Sanitation
- 3 Head Rotary Erector
- Programmable Limit Switches
- Casters and Leveling Legs
- Detent Jam Protection Clutch
- Carton Carrier Flight Chain
- Heavy-Duty Main Drive Gear Motor
- Up To 250 Cartons per Minute
- Optional Date Coding Systems
- Optional Coupon Placement
- Optional Open Flap Detection
- Servo Options Available
- Digital Counters & Scales for Changeover Assist

[www.switchbackgroup.com](http://www.switchbackgroup.com)



**Optional Wash-Down Series**

# AC-3H

**Continuous Motion  
Horizontal Cartoner**



OVERHEAD CONFINEMENT



3-HEAD ROTARY ERECTOR

## Specifications

### Carton Range (LWD)

Minimum: 2" x 3/4" x 4"  
Maximum: 10.5" x 5" x 12"

### Packaging Material

SBS, Clay Coat News Chipboard

### Package Type

Straight & Reverse Tuck  
Glue End Seal

### Main Voltage

240VAC-3 Phase-60 Hz  
480VAC-3 Phase-60 Hz (Optional)  
International Voltages, per request

### Control Voltage

24VDC

### Speed Range

10-250 Cartons Per Minute

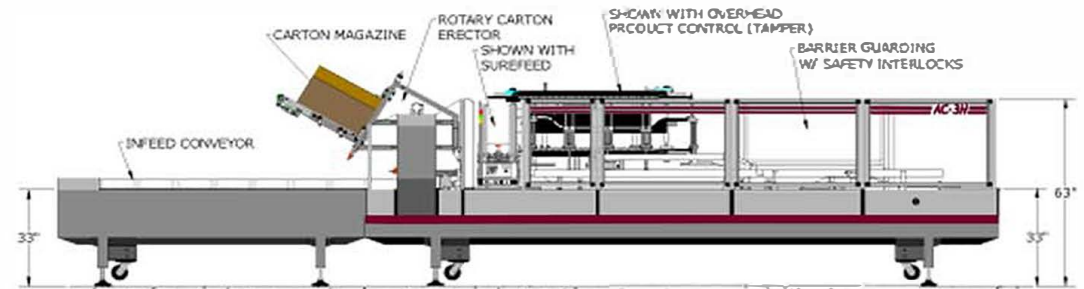
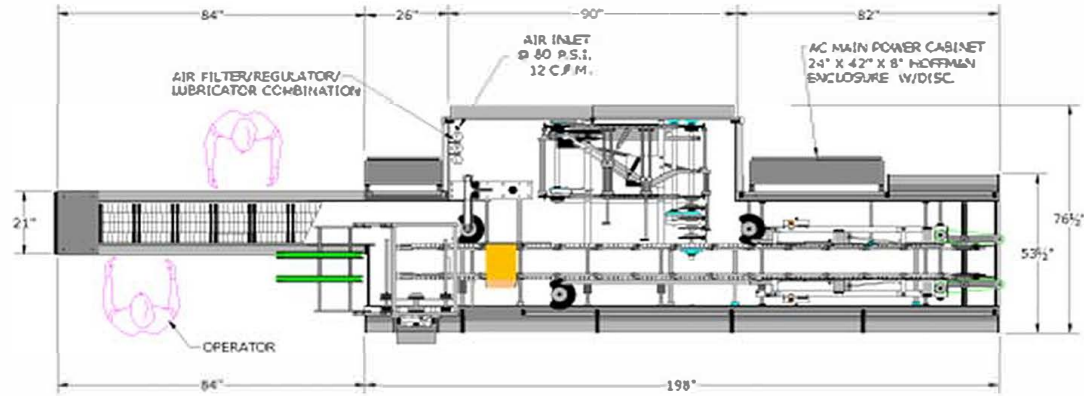
### Air Consumption

36 CFM @ 80 PSI

### Floor Space

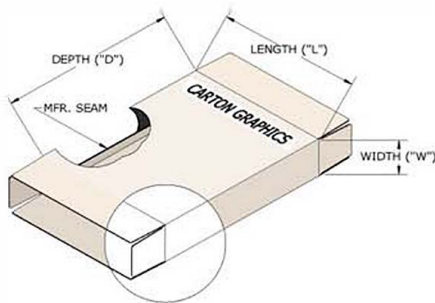
76.5" Width (1943mm)  
198" Length (5030mm)  
72" Height (1830mm)  
105 Square Feet

## AC-3H



SIDE VIEW

## Carton Style



## Designed to Perform

With a variety of attachments and options, the AC-3H can be fitted to perform about any task when it comes to cartoning. This model uses high-speed input shaft technology. This removes the torsion effect found in normal low speed line shaft drives. It's protected with a detent overload clutch and plenty of horsepower to accommodate additional infeed conveyor length if the need arises. Attachments include Laser or Inkjet; Coding; SmartBelt Product Infeed; Powered Carton Magazine and Over Product Containment to mention a few.

For further information, call one of our qualified salespersons or equipment representatives and let us put together a plan to get your company started in the direction of quality and performance.

## Sales Office

## Factory Information

**Switchback Group, Inc.**  
3778 Timberlake Drive  
Richfield, OH 44286  
P (330) 523-5200  
F (330) 523-5212  
[www.switchbackgroup.com](http://www.switchbackgroup.com)